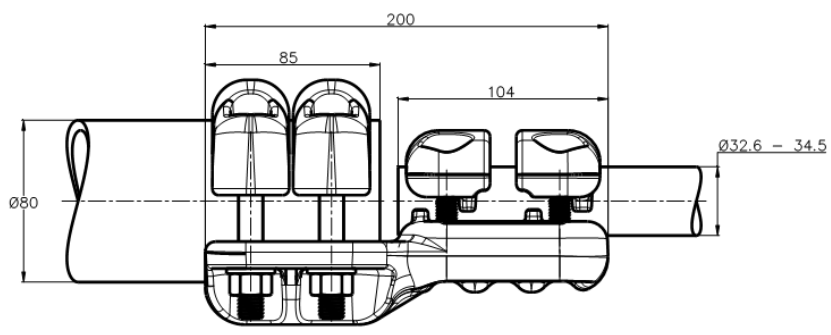


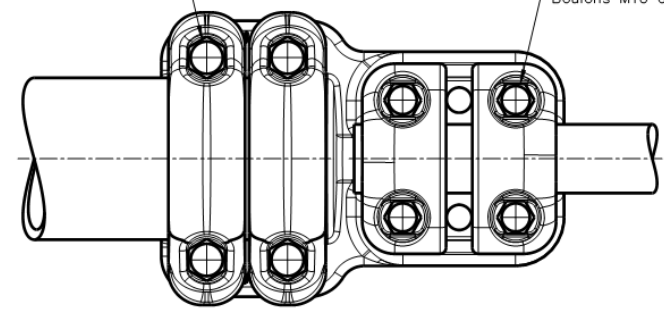
THIS DRAWING IS UNPUBLISHED. RELEASED FOR PUBLICATION
 © COPYRIGHT - By - ALL RIGHTS RESERVED.

REVISIONS					
P	LTR	DESCRIPTION	DATE	DWI	APVD
A		CREATION	20-NOV-17	BH	-



M12 Bolts stainless steel A2: 60Nm
 Boulons M12 acier inoxydable A2: 60Nm

M10 Bolts stainless steel A2: 37Nm
 Boulons M10 acier inoxydable A2: 37Nm



THIS DRAWING IS A CONTROLLED DOCUMENT.		DWI HUARD	20-Nov-17	TE Connectivity	
DIMENSIONS: mm		CHK -	APVD -	NAME STRAIGHT CONNECTOR RACCORD DROIT	
TOLERANCES UNLESS OTHERWISE SPECIFIED: 0 PLC ± - 1 PLC ± - 2 PLC ± - 3 PLC ± - 4 PLC ± - ANGLES ± -		PRODUCT SPEC 108-69096-001		SIZE 5 MJ 82 T80 M345	
MATERIAL -		FINISH -		APPLICATION SPEC -	RESTRICTED TO -
ITEM:.....		APPROX. WEIGHT 2.8 kg		A3 00779	C=2328130
CUSTOMER DRAWING			SCALE 1:2	SHEET 1 of 1	REV A